



FDTC35VH1 / SRC35ZS-W2

3.5 (0.9 ~ 4.3)

Indoor Unit : FDTC35VH1

Outdoor Unit : SRC35ZS-W2

Specifications

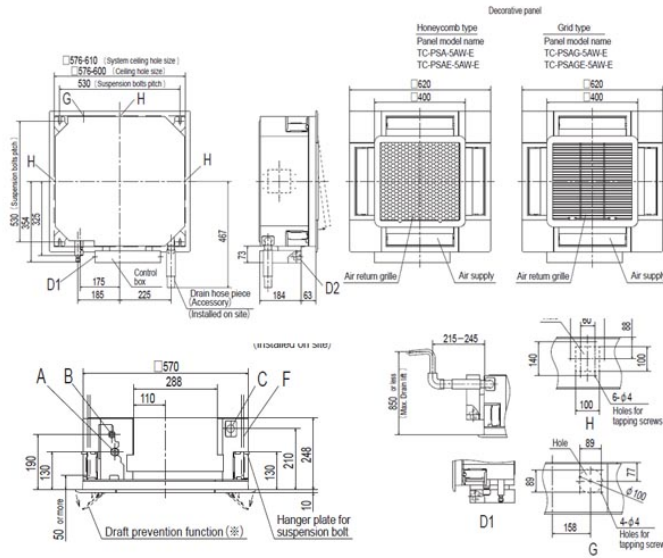


Indoor unit			FDTC35VH1
Outdoor unit			SRC35ZS-W2
Power source			1Phase, 220 - 240, 50Hz
Nominal cooling capacity (Min~Max)		kW	3.5 (0.9 ~ 4.3)
Nominal heating capacity (Min~Max)		kW	4.25 (0.9 ~ 4.6)
Power consumption	Cooling/Heating	kW	0.91 / 1.15
EER/COP	Cooling/Heating		3.85 / 3.70
Max. running current		A	9
Sound power level	Indoor	Cooling/Heating	52 / 53
	Outdoor	Cooling/Heating	62 / 62
Sound pressure level	Indoor	Cooling (Hi/Me/Lo/Ulo)	dB(A) 39 / 36 / 32 / 29
		Heating (Hi/Me/Lo/Ulo)	
	Outdoor	Cooling/Heating	50 / 50
Air flow	Indoor	Cooling (Hi/Me/Lo/Ulo)	m3/min 9.0 / 8.0 / 7.5 / 6.5
		Heating (Hi/Me/Lo/Ulo)	
	Outdoor	Cooling/Heating	31.5 / 31.5
Exterior Dimensions	Indoor	Height x Width x Depth	mm
	Outdoor		
Net weight	Indoor / Outdoor		kg
Refrigerant	Type/GWP		R32/675
Refrigerant	Charge	kg/TCO2Eq	0.78 / 0.527
Refrigerant piping size	Liquid/Gas	mm (ø inch)	6.35(1/4") / 9.52(3/8")
Refrigerant line (one way) length		m	Max. 20
Vertical height differences	Outdoor is higher/lower	m	Max. 10 / Max.10
Outdoor operating temperature range	Cooling	°C	-15~46
	Heating		-15~24
Panel			TC-PSA-5AW-E, TC-PSAE-5AW-E (Honeycomb) / TC-PSAG-5AW-E, TC-PSAGE-5AW-E (Grid)
Energy Class (Cooling/Heating)			A++/A++
SEER			7.10
SCOP (Average climate)			4.60
Pdesign (cooling/heating(@-10°C))		kW	3.50/2.90
Annual Electricity Consumption (cooling/heating)		kWh/a	173/883
Designated Heating Season			Average

- The data is measured under the following conditions(ISO-T1, H1). Cooling: Indoor temp. of 27°CDB, 19°CWB, and outdoor temp. of 35°CDB. Heating: Indoor temp. of 20°CDB, and outdoor temp. of 7°CDB, 6°CWB.
- Sound level indicates the value in an anechoic chamber. During operation these values are somewhat higher due to ambient conditions.
- 'tonne(s) of CO2 equivalent' means a quantity of greenhouse gases- expressed as the product of the weight of the greenhouse gases in metric tonnes and of their global warming potential.
- SEER/SCOP are based on EN14825:2016 and Commission regulation (EU) No.2016/2281

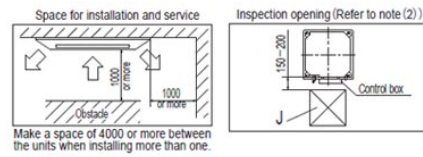
Schematics

4-way ceiling cassette type (FDTC) FDTC25VH1, 35VH1

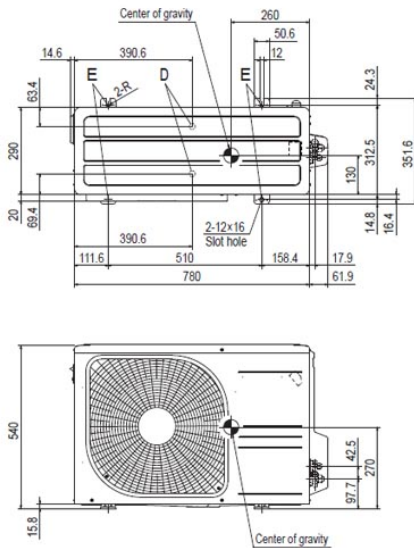


- Notes (1) The model name label is attached to the control box lid.
 (2) This unit is designed for 2×2 grid ceiling.
 If it is installed on a ceiling other than 2×2 grid ceiling, provide an inspection opening on the control box side.
 (3) Draft prevention function (⊘) is provided on the panel TC-PSA(G)E-5AW-E only.

Symbol	Content
A	Gas piping $\phi 9.52 (3/8")$ (Flare)
B	Liquid piping $\phi 6.35 (1/4")$ (Flare)
C	Drain piping VP25 (O.D.32)
D1	Power supply connection
D2	Remote control code and signal wiring connection
F	Suspension bolts (M10 or M8)
G	Outside air opening for ducting (Knock out)
H	Air outlet opening for ducting $\phi 125$ (Knock out)
J	Inspection opening 450×450



Outdoor units SRC25ZS-W1, W2 SRC35ZS-W1, W2



Installation space	Content
L1	280 or more
L2	100 or more
L3	80 or more
L4	250 or more

Symbol	Content
A	Service valve connection (gas side) $\phi 9.52 (3/8")$ (Flare)
B	Service valve connection (liquid side) $\phi 6.35 (1/4")$ (Flare)
C	Pipe./ cable draw-out hole
D	Drain discharge hole $\phi 20 \times 2$ places
E	Anchor bolt hole M10-12×4 places

- Notes (1) The unit must not be surrounded by walls on the four sides.
 (2) The unit must be fixed with anchor bolts. An anchor bolt must not protrude more than 15mm.
 (3) If the unit is installed in the location where there is a possibility of strong winds, place the unit such that the direction of air from the outlet gets perpendicular to the wind direction.
 (4) Leave 200mm or more space above the unit.
 (5) The wall height on the outlet side should be 1200mm or less.
 (6) The model name label is attached on the right side of the unit.

