



FDTC60VH / SRC60ZSX-W3

5.6 (1.1 ~ 6.3)

Indoor Unit : FDTC60VH

Outdoor Unit : SRC60ZSX-W3

Specifications

R32

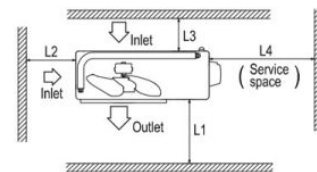
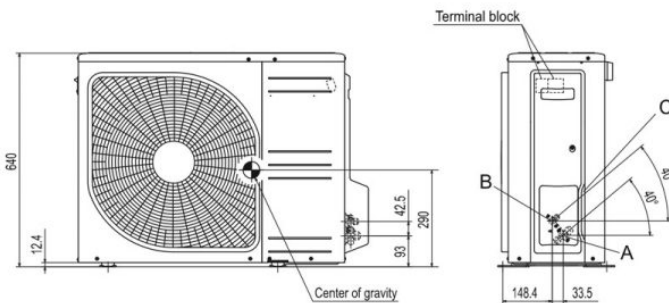
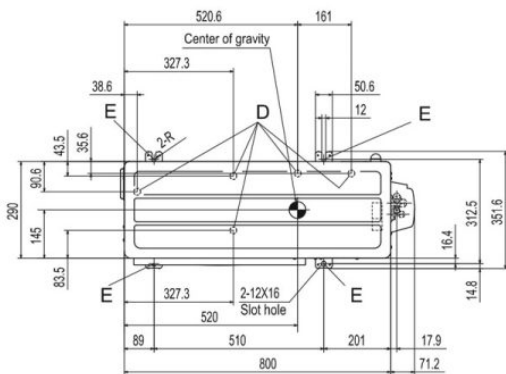
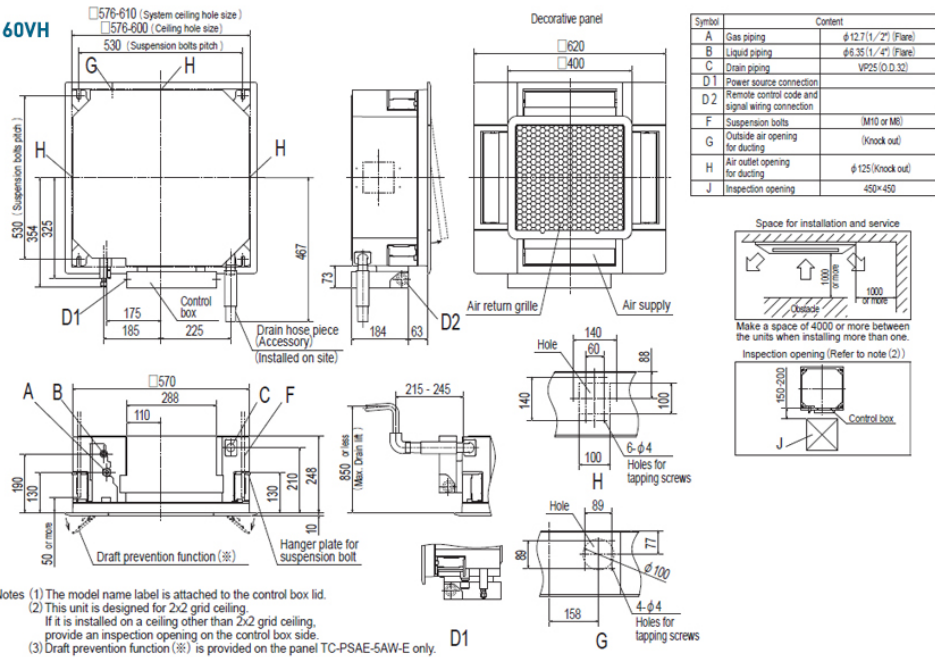
Indoor unit		FDTC60VH	
Outdoor unit		SRC60ZSX-W3	
Power source		1Phase, 220 - 240, 50Hz	
Nominal cooling capacity (Min~Max)		kW	5.6 (1.1 ~ 6.3)
Nominal heating capacity (Min~Max)		kW	6.7 (0.6 ~ 6.7)
Power consumption	Cooling/Heating	kW	1.73 / 2.14
EER/COP	Cooling/Heating		3.23 / 3.13
Max. running current		A	15
Sound power level	Indoor	Cooling/Heating	60 / 60
	Outdoor	Cooling/Heating	65 / 65
Sound pressure level	Indoor	Cooling (Hi/Me/Lo/Ulo)	dB(A) 46 / 42 / 38 / 31
		Heating (Hi/Me/Lo/Ulo)	
	Outdoor	Cooling/Heating	53 / 54
Air flow	Indoor	Cooling (Hi/Me/Lo/Ulo)	m3/min 14 / 12 / 10 / 8
		Heating (Hi/Me/Lo/Ulo)	
	Outdoor	Cooling/Heating	41.5 / 39
Exterior Dimensions	Indoor	Height x Width x Depth	mm
	Outdoor		
Net weight	Indoor / Outdoor	kg	16.5 (Unit : 14 Panel : 2.5) / 45.0
Refrigerant	Type/GWP		R32/675
Refrigerant	Charge	kg/TCO2Eq	1.30 / 0.878
Refrigerant piping size	Liquid/Gas	mm (ø inch)	6.35(1/4") / 12.7(1/2")
Refrigerant line (one way) length		m	Max. 30
Vertical height differences	Outdoor is higher/lower	m	Max. 20 / Max.20
Outdoor operating temperature range	Cooling	°C	-15~46
	Heating		-20~24
Panel		TC-PSA-5AW-E, TC-PSAE-5AW-E (Honeycomb) / TC-PSAG-5AW-E, TC-PSAGE-5AW-E (Grid)	
Energy Class (Cooling/Heating)		A++/A+	
SEER		6.45	
SCOP (Average climate)		4.10	
Pdesign (cooling/heating(@-10°C))		kW	5.6/5.1
Annual Electricity Consumption (cooling/heating)		kWh/a	304/1744
Designated Heating Season		Average	

• The data is measured under the following conditions(ISO-T1, H1). Cooling: Indoor temp. of 27°CDB, 19°CWB, and outdoor temp. of 35°CDB. Heating: Indoor temp. of 20°CDB, and outdoor temp. of 7°CDB, 6°CWB.
 • Sound level indicates the value in an anechoic chamber. During operation these values are somewhat higher due to ambient conditions.
 • 'tonne(s) of CO2 equivalent' means a quantity of greenhouse gases- expressed as the product of the weight of the greenhouse gases in metric tonnes and of their global warming potential.
 *1 The maximum external static pressure can be used up to 35Pa (25•35ZS) , 50Pa (50 •60ZS) , but the airflow will be reduced.

Schematics

Unit: mm

Models FDTC40VH, 50VH, 60VH



Examples installation	I	II	III	IV
Size L1	Open	280	280	180
L2	100	75	Open	Open
L3	100	80	80	80
L4	250	Open	250	Open

Unit:mm

(2) Outdoor units
Models SRC60ZSX-W3, 60ZSX-W3