



SRK20ZSX-W / SRC20ZSX-W

2.0 (0.9~3.4)

Indoor Unit : SRK20ZSX-W

Outdoor Unit : SRC20ZSX-W

Specifications

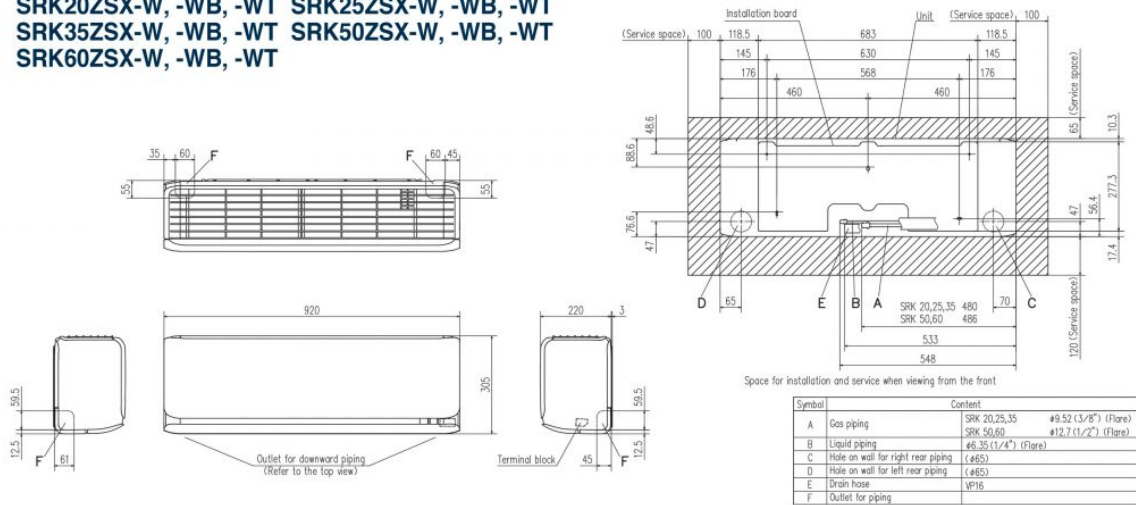
R32

Indoor unit		SRK20ZSX-W	
Outdoor unit		SRC20ZSX-W	
Power source		1Phase, 220 - 240, 50Hz	
Nominal cooling capacity (Min~Max)		kW	2.0 (0.9~3.4)
Nominal heating capacity (Min~Max)		kW	2.7 (0.8~5.5)
Power consumption	Cooling/Heating	kW	0.31 / 0.47
EER/COP	Cooling/Heating		6.45 / 5.74
Max. running current		A	9
Sound power level	Indoor	Cooling/Heating	53 / 55
	Outdoor	Cooling/Heating	56 / 58
Sound pressure level	Indoor	Cooling (Hi/Me/Lo/Ulo)	dB(A) 38 / 31 / 24 / 19
		Heating (Hi/Me/Lo/Ulo)	
	Outdoor	Cooling/Heating	43 / 45
Air flow	Indoor	Cooling (Hi/Me/Lo/Ulo)	m3/min 11.3 / 9.1 / 6.0 / 5.0
		Heating (Hi/Me/Lo/Ulo)	
	Outdoor	Cooling/Heating	31.0 / 31.0
Exterior Dimensions	Indoor	Height x Width x Depth	mm
	Outdoor		
			640 x 800(+71) x 290
Net weight	Indoor / Outdoor		kg
			13.0 / 43.0
Refrigerant	Type/GWP	R32 / 675	
Refrigerant	Charge	kg/TCO2Eq	1.20 / 0.810
Refrigerant piping size	Liquid/Gas	mm (ø inch)	6.35(1/4") / 9.52(3/8")
Refrigerant line (one way) length		m	Max.25
Vertical height differences	Outdoor is higher/lower	m	Max.15 / Max.15
Outdoor operating temperature range	Cooling	°C	-15~46
	Heating		-20~24
Clean filter		Allergen Clear Filter x 1, Photocatalytic Washable Deodorizing Filter x 1	
Energy Class (Cooling/Heating)		A+++ / A+++	
SEER		10.00	
SCOP (Average climate)		5.20	
Pdesign (cooling/heating(@-10°C))		kW	2.00/2.80
Annual Electricity Consumption (cooling/heating)		kWh/a	70/754
Designated Heating Season		Average	

- The data is measured under the following conditions(ISO-T1, H1). Cooling: Indoor temp. of 27°CDB, 19°CWB, and outdoor temp. of 35°CDB. Heating: Indoor temp. of 20°CDB, and outdoor temp. of 7°CDB, 6°CWB.
 - Sound level indicates the value in an anechoic chamber. During operation these values are somewhat higher due to ambient conditions.
 - 'tonne(s) of CO2 equivalent' means a quantity of greenhouse gases- expressed as the product of the weight of the greenhouse gases in metric tonnes and of their global warming potential.
- *1 The maximum external static pressure can be used up to 35Pa (25•35ZS) , 50Pa (50 •60ZS), but the airflow will be reduced.

Schematics

**SRK20ZSX-W, -WB, -WT SRK25ZSX-W, -WB, -WT
SRK35ZSX-W, -WB, -WT SRK50ZSX-W, -WB, -WT
SRK60ZSX-W, -WB, -WT**



**SRC20ZSX-W,-S SRC25ZSX-W,-S SRC35ZSX-W,-S
SRC40ZSX-W,-S SRC50ZSX-W,-S SRC60ZSX-W,-S SRC63ZR-W,-S**

